



# GED Study Guide

## MATH

### What you need to know about the GED® Math Test

- 1** You should be familiar with arithmetic and math concepts, measurements, equations, and applying math concepts to solve real-life problems. Remember, the math test is not a memorization test! You'll have access to a formula sheet that gives you information like how to calculate the area for different shapes.
- 2** This study guide and the example questions in it will help you get an idea of what's going to be on the test.
- 3** You don't need to know everything in this guide! If you want to see how close you are to passing, the GED Ready® official practice test is a great way to help you determine if you're ready.

### Test Overview

**Topics**

Rational Numbers  
Shapes and Measurement  
Graphs and Functions  
Expressions and Equations

**Time (to take the test)**

115 minutes  
3 minute break between parts (to retrieve your calculator)

**Format**

2 parts  
Calculator allowed for part 2  
Access to calculator reference sheet and math formula sheet  
Multiple choice and other question types (drag and drop, fill in the blank, hot spot, and drop down)

### What you'll be tested on

The GED test will measure your strength in the skills below. Click on a skill to learn more about it.

**Basic Math****1 Fractions and decimals in order**

Place fractions and decimals in order.

For example, you can order the set of numbers:

$$\frac{1}{4}, 0.5, \frac{3}{8}, 0.9$$

in order from smallest to largest:

$$\frac{1}{4}, \frac{3}{8}, 0.5, 0.9$$

**Example Questions****Fractions and decimals in order****Question:**

Between which pair of decimals should  $\frac{4}{7}$  be placed on a number line?

- A 0.3 and 0.4
- B 0.4 and 0.5
- C 0.5 and 0.6
- D 0.6 and 0.7

**2 Multiples and factors**

Find multiples and factors.

For example:

- the least common multiple of 3 and 5 is 15
- the greatest common factor of 12 and 30 is 6

**Example Questions**

---

**Multiples and factors****Question:**

Susan and Daphne are participating in a walk-a-thon at the local community college track to raise money. Susan can walk around the track in 4 minutes. Daphne can walk around the track in 6 minutes. Susan and Daphne started walking at the same time. How many minutes will it be until they complete a lap at the same time?

- A 2
- B 10
- C 12
- D 24

**3 Simplify exponents**

Simplify numerical expressions with exponents

For example,  $2^6 \times 2^5 = 2^{11}$

**Example Questions**

---

**Simplify exponents**

**Question:**

Simplify.

$$(2^9 \times 3^5) \times (2^4 \times 3)^2$$

- A  $6^{20}$
- B  $6^{24}$
- C  $2^{13} \times 3^7$
- D  $2^{17} \times 3^7$

**4 Distance between numbers on a number line**

Find the distance between numbers on a number line using absolute value.

For example, on a number line with points plotted at -2 and 4, the distance between the points is 6.

**Example Questions**

---

**Distance between numbers on a number line****Question:**

The points -4 and 5 are plotted on a number line. What is the distance, in units, between the two points?

A 1

B 4

C 8

D 9

**5 Whole numbers, fractions, and decimal problems.**

Compute and solve problems with whole numbers, fractions, and decimals.

**Example Questions**

---

**Whole numbers, fractions, and decimal problems.****Question:**

Simplify.

$$12 + 15 \div 3 \times 6 - 4$$

A 18

B 22

C 38

D 50

**6 Squares, square roots, cubes, and cube roots**

Calculate and compute with squares, square roots, cubes, and cube roots of numbers.

**Example Questions**

---

**Squares, square roots, cubes, and cube roots****Question:**

Add.

$$3\sqrt{7} + \sqrt{7}$$

**A**  $4\sqrt{7}$

**B**  $3\sqrt{14}$

**C**  $4\sqrt{14}$

**D**  $3\sqrt{49}$

**7 Undefined expressions**

Know that expressions with a denominator of zero are "undefined" and have no solution.

Identify "undefined" numerical expressions which have no solution, including:

- a denominator of zero
- square roots of negative numbers

**Example Questions**

---

**Undefined expressions****Question:**

Which expression is undefined in the set of real numbers?

A  $\sqrt{-4}$

B  $\frac{0}{-4}$

C  $0^{-4}$

D  $-4 \times 0$



8

**Unit rates**

Find unit rates.

For example:

- miles per hour
- dollars per pound

**Example Questions**

---

**Unit rates**

A store charges \$6.96 for a case of mineral water.

- Each case contains 2 boxes of mineral water.
- Each box contains 4 bottles of mineral water.

**Question:**

What is the cost of each bottle of mineral water?

- A \$0.87
- B \$1.16
- C \$1.74
- D \$3.48

**9** **Objects at scale**

Use scale factors to convert dimensions between scale drawings and actual objects.

For example, you may be presented with an image of the dimensions of a room. The image may use 1 inch to represent 1 foot of real space in the room.

**Example Questions**

---

**Objects at scale****Question:**

A scale drawing of a house uses a scale of 0.5 inches = 2 feet. What is the length, in inches, of a line on the scale drawing that represents an actual length of 5 feet?

- A 1.25
- B 2.5
- C 10
- D 20

**10 Multiple-step problems that use ratios, proportions, and percents**

Solve multiple-step problems that use ratios, proportions, and percents.

Examples of multi-step problems include:

- simple interest
- percent increase and decrease
- gratuities
- commissions

**Example Questions**

---

**Multiple-step problems that use ratios, proportions, and percents****Question:**

The price of Veronica's meal before tax and tip was \$11.92. Veronica paid 8% tax, then added a 15% tip to the total. To the nearest cent, how much did Veronica pay for her meal?

- A \$12.87
- B \$13.71
- C \$14.66
- D \$14.80

**Geometry Plus****1 Side lengths of shapes when given the area or perimeter**

Find the side lengths of triangles, rectangles, and polygons when given the area or perimeter.

Remember, you will be provided with the math formulas.

**Example Questions**

---

**Side lengths of shapes when given the area or perimeter****Question:**

A rectangle has an area of 54 square inches and a length of 6 inches. What is the width, in inches, of the rectangle?

- A 9
- B 21
- C 24
- D 48

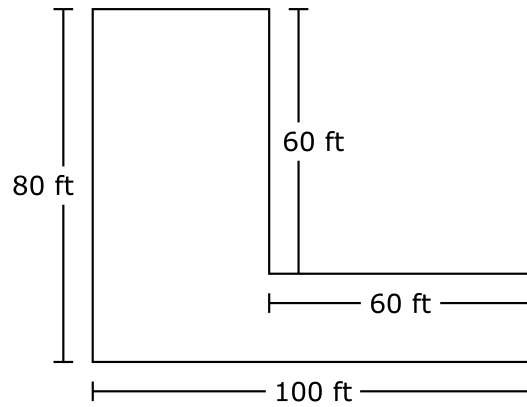
**2 Area and perimeter of two-dimensional shapes**

Find the area and perimeter of two-dimensional shapes, including triangles, rectangles, polygons, and composite shapes.

Remember, you will be provided with the math formulas.

**Example Questions****Area and perimeter of two-dimensional shapes**

The Wilson family's back yard is a rectangular plot that has a length of 100 feet and a width of 80 feet. The family planted a garden with a length and width of 60 feet. The family planted a lawn in the remaining area of the back yard, as shown.

**Question:**

What is the area, in square feet, of the lawn in the Wilson family's back yard?

- A 4,400
- B 5,200
- C 5,600
- D 8,000

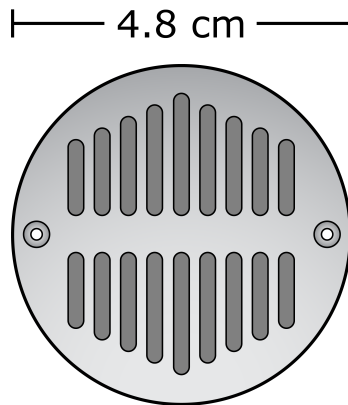
**3 Area, circumference, radius, and diameter of a circle**

Find the area and circumference of a circle. Find the radius or diameter of a circle when given the area or circumference.

Remember, you will be provided with the math formulas.

**Example Questions****Area, circumference, radius, and diameter of a circle**

Greg installed a circular drain that has a diameter of 4.8 inches.

**Question:**

To the nearest tenth of an inch, what is circumference of the drain?

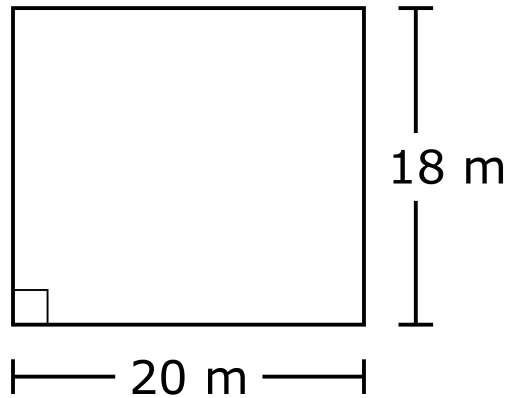
- A 7.5
- B 15.1
- C 18.1
- D 30.1

**4** Pythagorean theorem

Use the Pythagorean theorem  $a^2 + b^2 = c^2$  to find a side length in a right triangle.

**Example Questions****Pythagorean theorem**

The foundation of a building is in the shape of a rectangle, with a length of 20 meters (m) and a width of 18 m.

**Question:**

To the nearest meter, what is the distance from the top left corner of the foundation to the bottom right corner?

- A 19
- B 27
- C 36
- D 38

**5 Volume and surface area of three-dimensional shapes**

Find the volume and surface area of three-dimensional shapes, including rectangular and right prisms, cylinders, and right pyramids. Find the side lengths, radius, or diameter of a three-dimensional figure when given the volume or surface area.

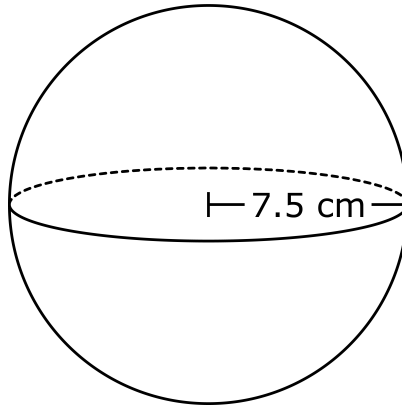
Remember, you will be provided with the math formulas.

**Example Questions**

---

**Volume and surface area of three-dimensional shapes**

A sphere has a radius of 7.5 centimeters (cm).

**Question:**

To the nearest cubic centimeter, what is the volume of the sphere?

- A 236
- B 1,325
- C 1,766
- D 14,130

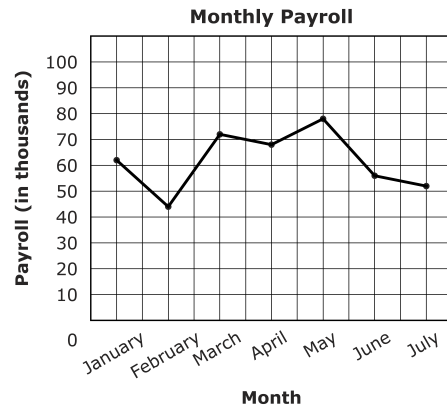


**6 Graphical data including graphs, tables, and more**

Construct and explain data from bar graphs, circle graphs, dot plots, histograms, box plots, tables, scatter plots, and line graphs.

**Example Questions****Graphical data including graphs, tables, and more**

The line graph shows the monthly payroll at a large construction company.

**Question:**

In which month did the monthly payroll decrease the most?

- A February
- B March
- C June
- D July

**7 Mean, median, mode, and range**

Find the mean, median, mode, and range of a number set. Find a missing value when given an average.

**Example Questions**

---

**Mean, median, mode, and range**

The manager of an apartment complex ordered the air conditioners in the apartments to be replaced. The list shows how many years each air conditioner had been in service.

12.2, 13.7, 11.9, 13.4, 11.9, 12.3, 12.9, 11.8, 13.3, 13.6

**Question:**

What is the median number of years that an air conditioner had been in service?

- A 11.9
- B 12.1
- C 12.6
- D 12.7

**8 Counting techniques**

Use counting techniques to solve math problems. For example, count how many different ways objects can be ordered, arranged, or combined.

**Example Questions**

---

**Counting techniques****Question:**

A restaurant serves custom-made omelets, where guests select meat, cheese, and vegetables to be added to their omelet. There are 6 vegetables available, and guests may select any 2 vegetables for their omelet. How many different combinations of 2 vegetables are possible?

A 12

B 15

C 30

D 36

**9 Probability of an event**

Find the probability of one or more events happening.

For example, what is the probability of drawing a jack or a king randomly from a deck of cards?

**Example Questions**

---

**Probability of an event****Question:**

In a shipment of toys from a manufacturer, the probability that a toy is defective is  $\frac{1}{50}$ . If Marie selects 2 toys from a shipment, what is the probability that both toys are defective?

- A  $\frac{1}{25}$
- B  $\frac{1}{50}$
- C  $\frac{1}{100}$
- D  $\frac{1}{2,500}$

**Basic Algebra****1 Add, subtract, multiply, and factor linear expressions**

Simplify linear expressions by adding, subtracting, multiplying, expanding, and factoring.

For example:

- expand  $4(7x - 2)$
- factor  $4x + 8$

**Example Questions**

---

**Add, subtract, multiply, and factor linear expressions**

**Question:**

Subtract.

$$(3x - 4y) - (4x - 3y)$$

- A  $-x - y$
- B  $7x - y$
- C  $-x - 7y$
- D  $7x - 7y$

**2 Evaluate algebraic expressions**

Evaluate algebraic expressions by substituting (replacing) variables with numbers.

**Example Questions**

---

**Evaluate algebraic expressions****Question:**

A painter uses the expression  $35h + 30c$  to determine how much he charges a customer for a job that takes  $h$  hours and  $c$  cans of paint. His last job required 3 cans of paint and took 15 hours to complete. How much did the painter charge?

- A \$540
- B \$555
- C \$615
- D \$630

**3 Algebraic expressions -- creation**

Create algebraic expressions to represent problem situations or word-to-symbol translations.

**Example Questions**

---

**Algebraic expressions -- creation****Question:**

In a science experiment, the initial temperature was 55 degrees Fahrenheit, and each hour after, the temperature dropped by 4 degrees. Which expression represents the temperature, in degrees Fahrenheit, after  $t$  hours?

- A  $55 - 4t$
- B  $55 + 4t$
- C  $4t + 55$
- D  $4t - 55$

**4 Add, subtract, multiply, divide, and factor polynomials**

Add, subtract, multiply, divide, and factor polynomials.

For example:

- $(x + 8)(x + 4)$
- factor  $3x^2 - 10x - 8$

**Example Questions**

---

**Add, subtract, multiply, divide, and factor polynomials**

**Question:**

Multiply.

$$(2x - y)(3x + y)$$

- A  $6x^2 - xy - y^2$
- B  $5x^2 - xy - y^2$
- C  $6x^2 - xy - 2y^2$
- D  $5x^2 - xy - 2y^2$



**5 Create polynomials from written descriptions**

Create polynomials to represent problem situations or word-to-symbol translations.

For example, a triangle has three sides with the following lengths:

$$2x + 1 \text{ units, } 3x + 5 \text{ units, and } 4x - 1 \text{ units}$$

Write an algebraic expression for the perimeter of the triangle in units.

**Example Questions**

---

**Create polynomials from written descriptions****Question:**

A rental company carries tables that seat 2, 4, or 8 people. For a wedding, a customer orders  $x$  tables that seat 2 people,  $y$  tables that seat 4 people, and  $z$  tables that seat 8 people. Which expression represents the tables that the customer orders?

- A  $2x(4y)(8z)$
- B  $2x + 4y + 8z$
- C  $(2 + 4 + 8)(xyz)$
- D  $(2 + 4 + 8)(x + y + z)$

**6 Add, subtract, multiply and divide rational expressions**

Add, subtract, multiply and divide rational expressions.

**Example Questions**

---

Add, subtract, multiply and divide rational expressions

**Question:**

Add.

$$\frac{3}{x} + \frac{x}{x+2}$$

A  $\frac{3+x}{2x+2}$

B  $\frac{x+5}{2x+2}$

C  $\frac{x^2+3x+2}{x(x+2)}$

D  $\frac{x^2+3x+6}{x(x+2)}$

**7 Write an expression from a written description**

Write an expression from a written description.

**Example Questions**

---

**Write an expression from a written description**

A written description of a mathematical expression is shown.

the quotient of the sum of 4 and 2 times a number, and the difference of 6 less than 3 times the same number

**Question:**

Which expression matches the written description?

**A**  $\frac{2x + 4}{3x - 6}$

**B**  $\frac{2x + 4}{6 - 3x}$

**C**  $(2x + 4)(3x - 6)$

**D**  $(2x + 4)(6 - 3x)$

**8 Use linear equations to solve real-world problems**

Use linear equations to solve real-world problems. For example, calculate the fuel efficiency of a car at different speeds.

**Example Questions**

---

**Use linear equations to solve real-world problems****Question:**

Lucy is shipping 5 boxes that all weigh the same, and 1 envelope that weighs 7.5 pounds. The total weight of the shipment is 65 pounds. What is the weight, in pounds, of each box?

- A 5.5
- B 11.5
- C 14.5
- D 20.5

**9 Solve a system of two linear equations**

Solve a system of linear equations and real-world problems that involve them.

Common techniques include graphing, substitution, or addition to compute a system of two linear equations.

**Example Questions**

---

**Solve a system of two linear equations**

A system of equations is shown.

$$\begin{aligned}4x + 3y &= 8 \\4x - 3y &= -16\end{aligned}$$

**Question:**

What is the value of  $x$ ?

- A -3
- B -1
- C 1
- D 4

**10 Solve inequalities and graph the answer on a number line**

Solve inequalities and real-world problems that involve them, and graph the solutions.

**Example Questions**

---

**Solve inequalities and graph the answer on a number line****Question:**

Isabella saved \$15,000 and bought a car that cost \$12,700. The insurance for the car will cost \$600 per year. How many full years will Isabella be able to pay for car insurance with her remaining savings?

- A 3
- B 4
- C 21
- D 25

**11 Quadratic equations with one variable**

Solve quadratic equations with one variable.

For example,  $3x^2 + 2x - 8 = 0$

**Example Questions**

---

**Quadratic equations with one variable****Question:**

Solve.

$$4x^2 - x - 5 = 0$$

- A  $x = -1$  and  $x = \frac{5}{4}$
- B  $x = \frac{4}{5}$  and  $x = 1$
- C  $x = -1$  and  $x = \frac{4}{5}$
- D  $x = 1$  and  $x = \frac{5}{4}$



## Graphs and Functions

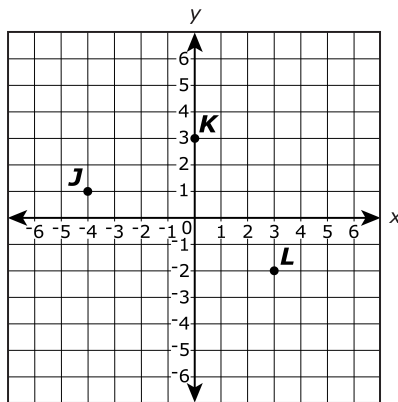
### 1 Locate points and graph equations

Locate points and graph linear equations in a coordinate plane.

#### Example Questions

##### Locate points and graph equations

Points  $J$ ,  $K$ , and  $L$  are plotted on a coordinate grid.



##### Question:

What are the coordinates of the points on the coordinate grid?

- A  $J(1, -4); K(3, 0); L(-2, 3)$
- B  $J(-4, 1); K(0, 3); L(3, -2)$
- C  $J(-4, 1); K(0, 3); L(-2, 3)$
- D  $J(-4, 1); K(3, 0); L(3, -2)$



**2 Slope of a line from a graph, equation, or table**

Find the slope of a line from a graph, equation, or table.

**Example Questions**

---

**Slope of a line from a graph, equation, or table****Question:**

What is the slope of the line represented by the equation  $3x + 4y = 8$ ?

A  $-\frac{4}{3}$

B  $-\frac{3}{4}$

C  $\frac{3}{4}$

D  $\frac{4}{3}$

**3 Proportional relationships for equations and graphs**

Determine whether an equation and a graph show the same proportional relationship.

**Example Questions**

---

**Proportional relationships for equations and graphs****Question:**

Chelsea designs beaded bracelets. The equation  $P = 7 + 0.05b$  can be used to find the price,  $P$ , of a bracelet that has  $b$  beads. What does the number  $0.05$  in the equation represent?

- A the price of each bead
- B the price of each bracelet
- C the number of bracelets made
- D the number of beads in a bracelet

4 Features of graphs and tables for linear and nonlinear relationships

Identify features of graphs and tables for linear and nonlinear relationships.

For example, using the rise/run to determine slope, coordinates of points, and x/y intercept.

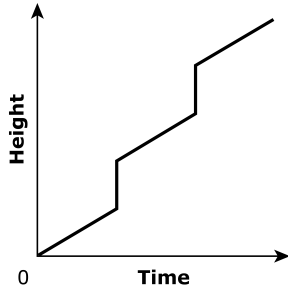
**Example Questions**

**Features of graphs and tables for linear and nonlinear relationships**

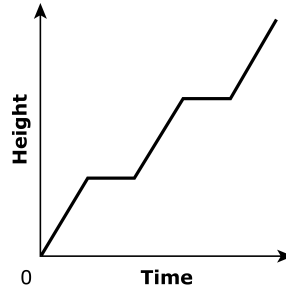
**Question:**

Kirsten walks up 6 flights of stairs to her office each morning as part of her exercise routine. She walks the first 3 flights, rests for 30 seconds, walks the next 2 flights at the same rate of speed as she walked the first 3 flights, rests again for 30 seconds, and then walks the last flight of stairs at the same rate. Which graph represents Kirsten walking up the stairs?

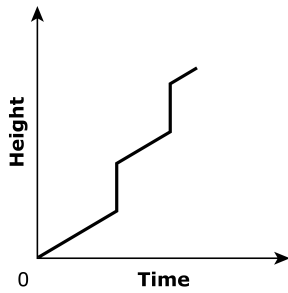
(A)



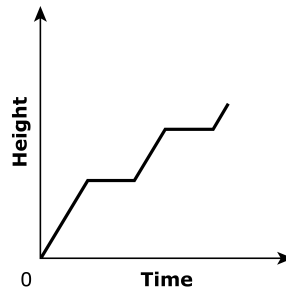
(B)



(C)



(D)



**5 Slope and a point on a line**

Find the equation of a line when given the slope and a point on the line.

**Example Questions**

---

**Slope and a point on a line****Question:**

What is the equation of the line that has a slope of -7 and passes through the point (4, 8)?

A  $x + 7y = 60$

B  $7x + y = 36$

C  $x - 7y = -52$

D  $7x - y = 20$

**6 Equation of a line from two points**

Find the equation of a line from two points on the line.

**Example Questions**

---

**Equation of a line from two points****Question:**

What is the equation of the line that passes through the points (-3, -2) and (1, 6)?

- A  $y = 2x + 4$
- B  $y = -2x + 8$
- C  $y = \frac{1}{2}x - \frac{1}{2}$
- D  $y = \frac{1}{2}x - \frac{11}{2}$

**7 Use slope of a line**

Use the slope of a line to solve problems, for example identify whether lines are parallel or perpendicular.

**Example Questions**

---

**Use slope of a line****Question:**

What is the slope of a line that is perpendicular to  $5x - 2y = 1$ ?

A  $\frac{-5}{2}$

B  $\frac{-2}{5}$

C  $\frac{2}{5}$

D  $\frac{5}{2}$

**8 Functions shown in different ways**

Compare functions that are shown in different ways, such as tables, graphs, equations and written descriptions.

**Example Questions**

---

**Functions shown in different ways****Question:**

Tim is looking at two websites that allow customers to print their own designs on T-shirts. One website charges \$24 per T-shirt plus \$8 shipping. The other website uses the equation  $C = 22n + 12$  to find the total cost,  $C$ , of printing  $n$  T-shirts. What is the difference in the cost of each website if Tim orders 10 T-shirts?

- A \$2
- B \$16
- C \$20
- D \$24

**9 Functions in tables and graphs**

Recognize a function in a table or graph by determining whether or not there is only one output value for each input value.

**Example Questions**

---

**Functions in tables and graphs****Question:**

Which table represents a function?

A

<b>x</b>	<b>y</b>
0	-4
0	4
2	-3
2	3

B

<b>x</b>	<b>y</b>
-5	4
5	-1
5	3
1	4

C

<b>x</b>	<b>y</b>
-5	-4
-4	-4
-3	-2
0	-1

D

<b>x</b>	<b>y</b>
-2	1
-2	-3
2	1
2	-3



**10 Evaluating functions**

Evaluate a function

For example:

$$f(x) = x^2 - 3x; \text{ find } f(-8)$$

**Example Questions**

---

**Evaluating functions****Question:**

What is the value of  $f(x) = 3x^2 + 4$  when  $x = -3$ ?

A -77

B -23

C 31

D 85

